

## CARPORT STYLE: DOUBLE MANSARD WITH TAIL

### DESIGN CRITERIA:

Wind Load: 90 MPH minimum

Ground Snow Load: 30 psf minimum

All Federal, State and Local codes reviewed.

**COLUMNS:** HSS ASTM A-500 Grade B A-500

Coating Options: Primed or Hot Dip Galvanized

**BEAMS:** 10" deep A-992 Grade 50 Steel.

Coating Options: Primed or Hot Dip Galvanized

**PURLINS:** 16 GA. Cold Rolled G-90 Galvanized Steel

**ROOFING:** 29 GA Roll formed, Exposed Fasteners, Galvanized Steel Panel with Siliconized Polyester or Kynar 500 Factory Applied Finish in a variety of colors with white underside.

### OPTIONS:

Roof Slope

Hot Dip Galvanizing

Site Specific Layout and Configuration

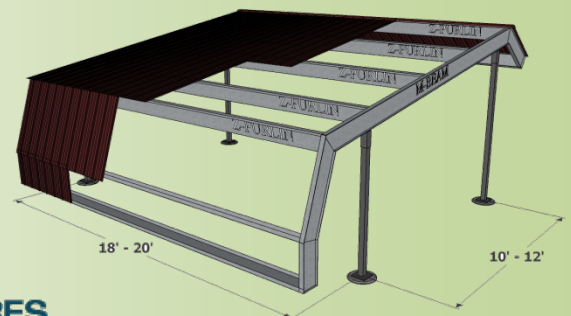
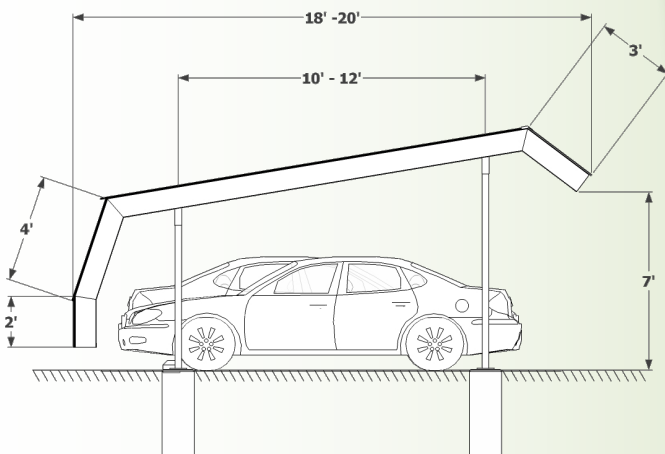
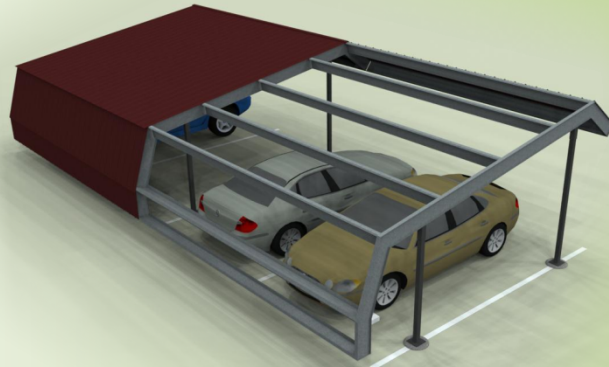
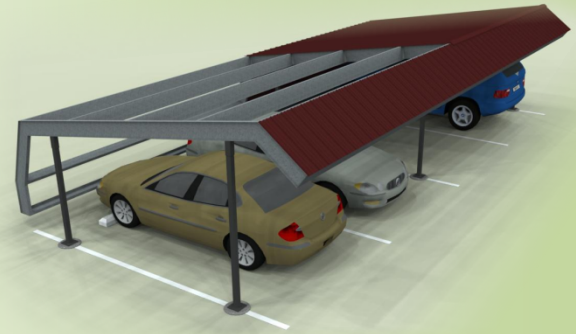
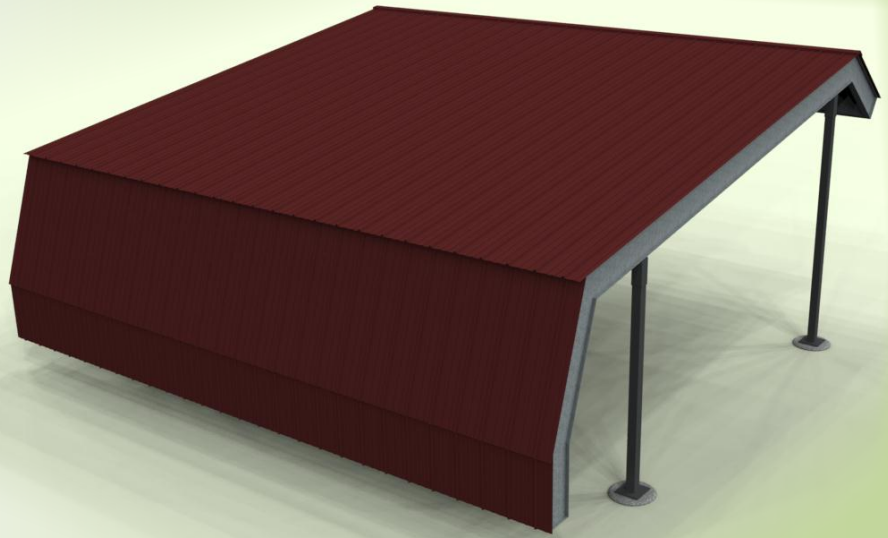
Standing Seam Roof Sheeting

Soffit Under Sheeting

Metal End Panels

End Overhangs 1'

Solar Racking



1825 Metamora Road  
Oxford, Michigan 48371  
Phone: 248-628-5571 / FAX: 248-628-5260  
Email: [info@carportstructures.com](mailto:info@carportstructures.com)  
WEB: [www.carportstructures.com](http://www.carportstructures.com)