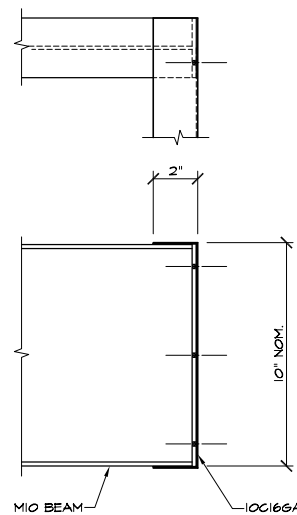
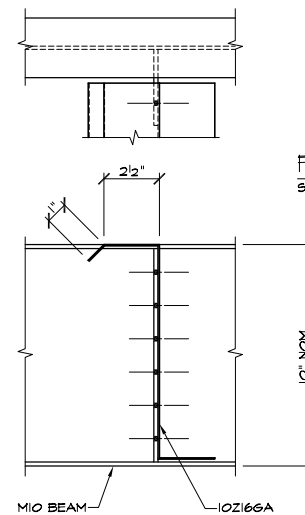


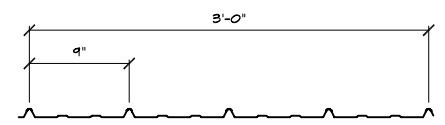
TYPICAL 20'-0" X 20'-0" BAY FRAMING PLAN
SCALE 3/16"=1'-0"



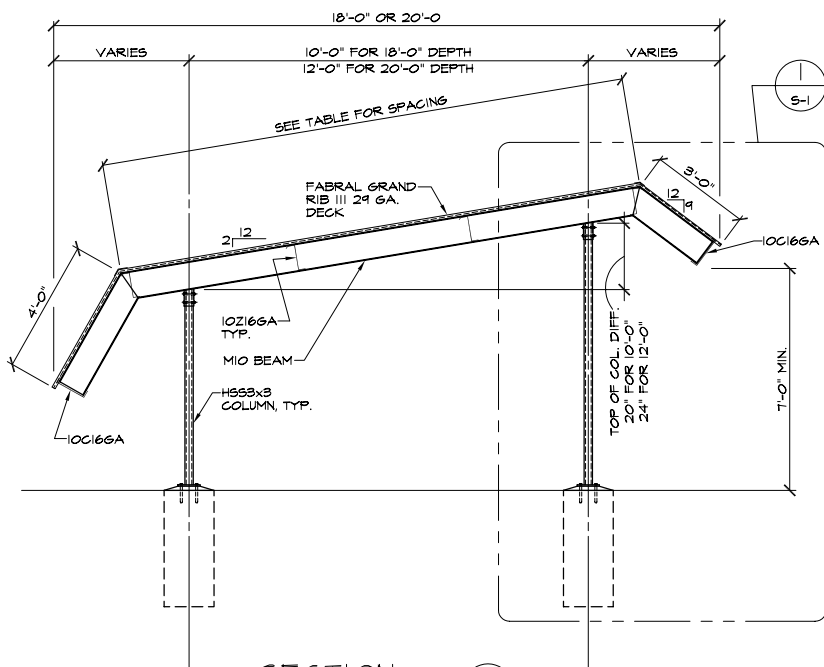
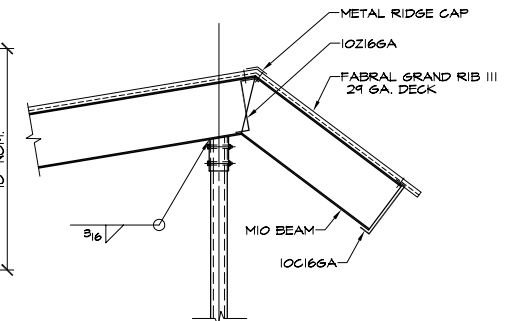
SECTION B
SCALE 3"=1'-0"



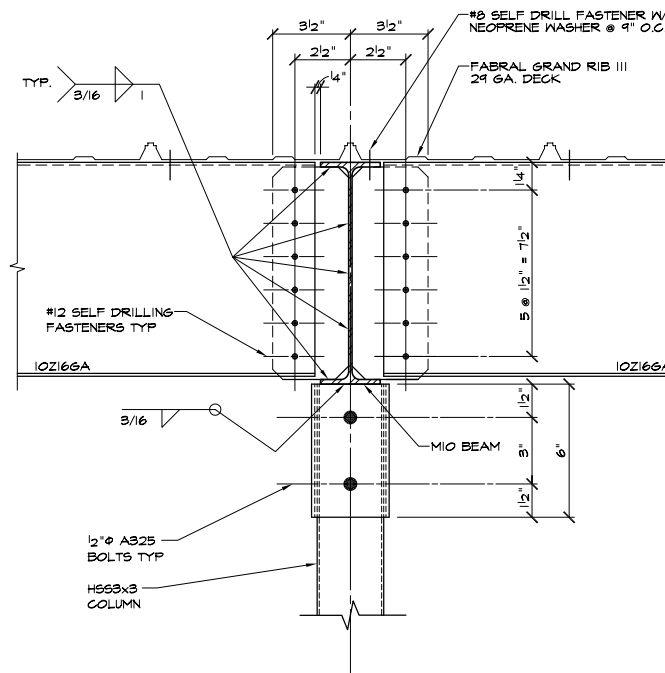
SECTION C
SCALE 3"=1'-0"



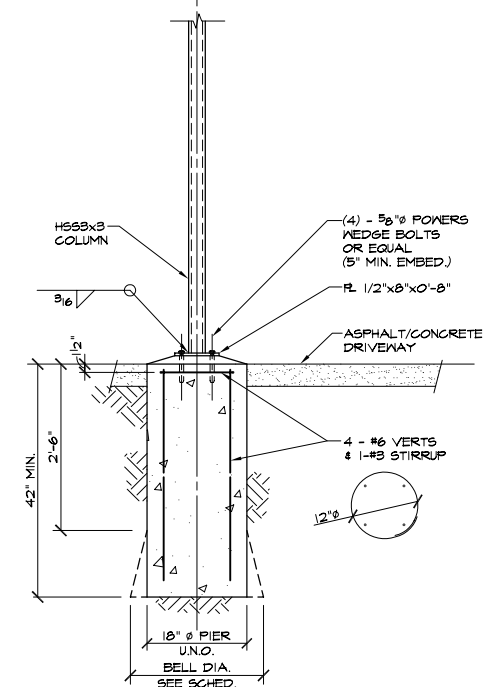
FABRAL GRAND RIB III 29 GA DECK
SCALE 1/2"=1'-0"



SECTION A
SCALE 3/8"=1'-0"



SECTION D
SCALE 3"=1'-0"



SECTION I
SCALE 3/4"=1'-0"

PREFABRICATED
DOUBLE MANSARD CARPORT
FRAMING PLAN,
SECTIONS & DETAILS
9'-0"x18'-0", 9'-0"x20'-0"
10'-0"x18'-0", 10'-0"x20'-0"

Carport Structures Corp.
www.carportstructures.com Ph: 248-628-5571
Multi Housing & Residential Oxford, MI