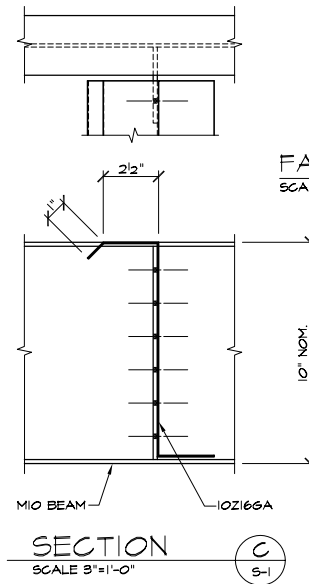
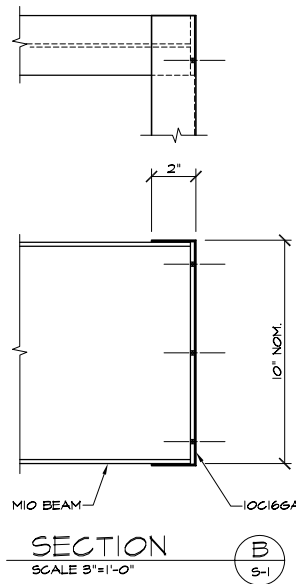
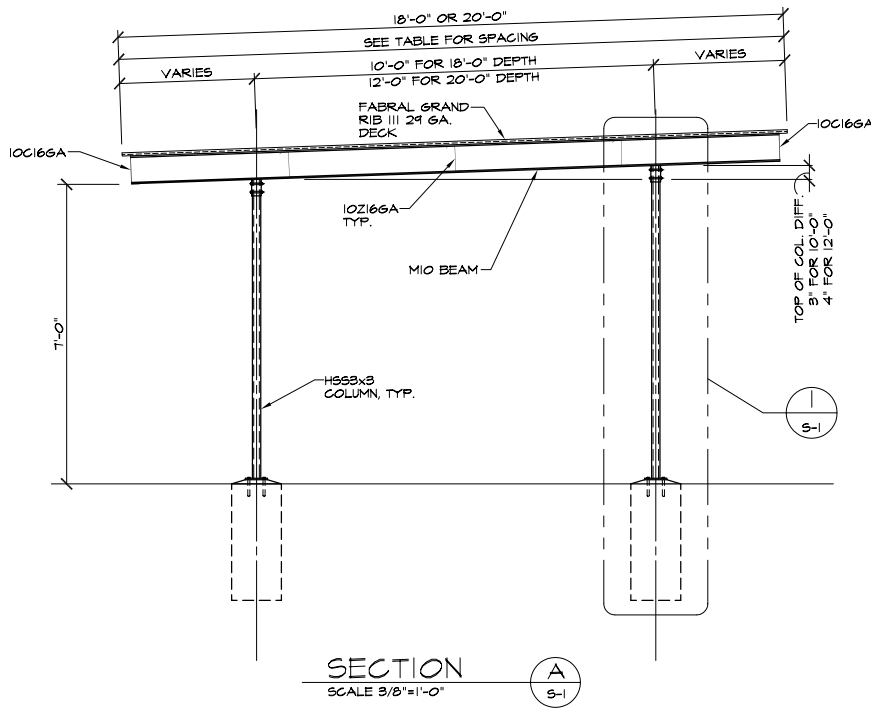
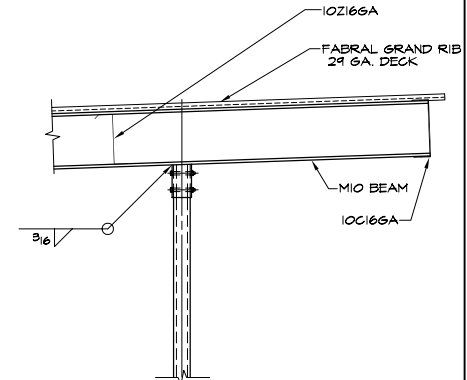


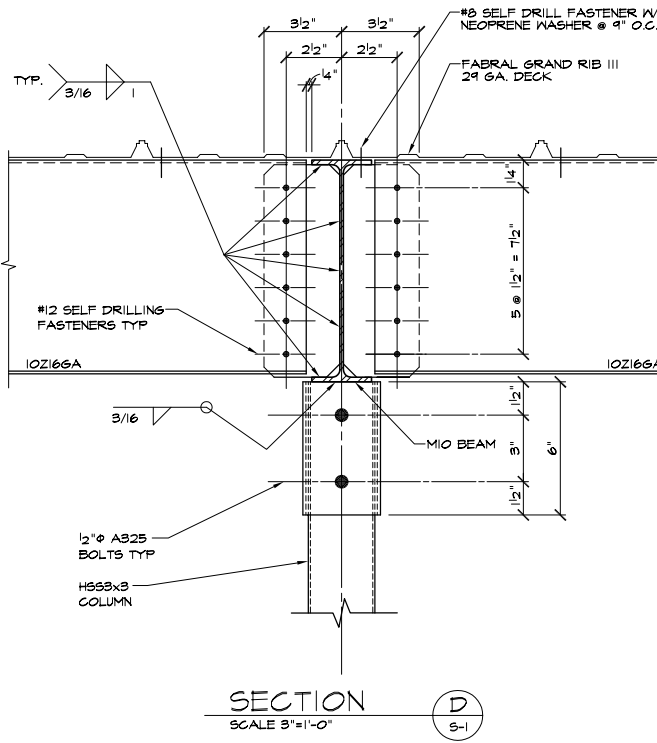
TYPICAL 20'-0" X 20'-0" BAY FRAMING PLAN  
SCALE 3/16"=1'-0"



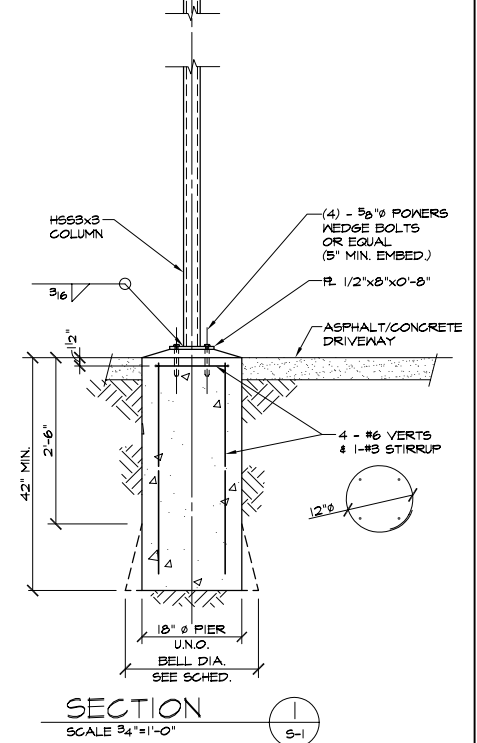
FABRAL GRAND RIB III 29 GA DECK  
SCALE 1/2"=1'-0"



SECTION A  
SCALE 3/8"=1'-0"



SECTION D  
SCALE 3"=1'-0"



SECTION I  
SCALE 3/4"=1'-0"

PREFABRICATED  
FLAT-TOP CARPORT  
FRAMING PLAN,  
SECTIONS & DETAILS  
9'-0"x18'-0", 9'-0"x20'-0"  
10'-0"x18'-0", 10'-0"x20'-0"

**Carport Structures Corp.**  
www.carportstructures.com Ph: 248-628-5571  
Multi Housing & Residential Oxford, MI